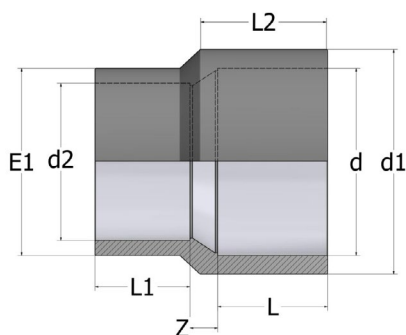


# RÉDUCTION CONIQUE

mâle / femelle à coller x femelle à coller

CONICAL REDUCER | REDUCCIÓN CÓNICA | VERLOOPMOF



**SORO**  
POOL



**SORO**  
BUILD



**SORO**  
HOME



**SORO**  
GROW



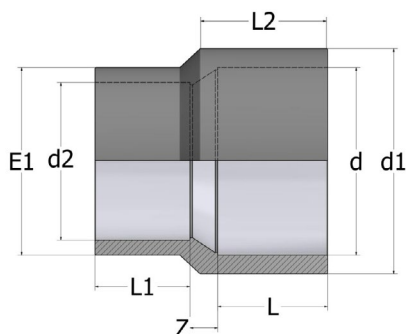
| Référence     | d1/dxd2<br>M/FxF | L         | L1        | L2        | Z         | E1        | PN        | Gr        |
|---------------|------------------|-----------|-----------|-----------|-----------|-----------|-----------|-----------|
| RC2516        | 25/20x16         | 16        | 14        | 19        | 6         | 23        | 16        | 10        |
| RC2520        | 25/20x20         | 16        | 16        | 19        | 6         | 28        | 16        | 8         |
| RC3216        | 32/25x16         | 19        | 14        | 22        | 6         | 23        | 16        | 16        |
| RC3220        | 32/25x20         | 19        | 16        | 22        | 6         | 28        | 16        | 17        |
| RC3225        | 32/25x25         | 19        | 19        | 22        | 6         | 33        | 16        | 18        |
| RC4020        | 40/32x20         | 22        | 16        | 24        | 9         | 28        | 16        | 27        |
| <b>RC4025</b> | <b>40/32x25</b>  | <b>22</b> | <b>19</b> | <b>24</b> | <b>8</b>  | <b>33</b> | <b>16</b> | <b>27</b> |
| RC4032        | 40/32x32         | 22        | 22        | 26        | 9         | 41        | 16        | 28        |
| RC5020        | 50/40x20         | 26        | 16        | 31        | 9         | 28        | 16        | 47        |
| <b>RC5025</b> | <b>50/40x25</b>  | <b>28</b> | <b>19</b> | <b>31</b> | <b>12</b> | <b>33</b> | <b>16</b> | <b>49</b> |
| <b>RC5032</b> | <b>50/40x32</b>  | <b>28</b> | <b>22</b> | <b>31</b> | <b>9</b>  | <b>41</b> | <b>16</b> | <b>53</b> |
| RC5040        | 50/40x40         | 26        | 26        | 31        | 10        | 50        | 16        | 56        |
| RC6320        | 63/50x20         | 38        | 16        | 54        | 16        | 27        | 16        | 77        |
| RC6325        | 63/50x25         | 32        | 19        | 38        | 19        | 33        | 16        | 86        |
| <b>RC6332</b> | <b>63/50x32</b>  | <b>31</b> | <b>22</b> | <b>38</b> | <b>12</b> | <b>41</b> | <b>16</b> | <b>88</b> |
| <b>RC6340</b> | <b>63/50x40</b>  | <b>31</b> | <b>26</b> | <b>38</b> | <b>12</b> | <b>50</b> | <b>16</b> | <b>93</b> |
| RC6350        | 63/50x50         | 31        | 31        | 38        | 12        | 61        | 16        | 94        |
| RC7532        | 75/63x32         | 38        | 22        | 44        | 23        | 41        | 16        | 125       |
| RC7540        | 75/63x40         | 38        | 26        | 44        | 17        | 50        | 16        | 125       |
| RC7550        | 75/63x50         | 38        | 31        | 44        | 12        | 61        | 16        | 130       |
| RC7563        | 75/63x63         | 38        | 38        | 44        | 3         | 75        | 16        | 140       |
| RC9040        | 90/75x40         | 44        | 26        | 51        | 23        | 50        | 16        | 205       |
| RC9050        | 90/75x50         | 44        | 31        | 51        | 18        | 61        | 16        | 200       |
| RC9063        | 90/75x63         | 44        | 38        | 51        | 11        | 75        | 16        | 222       |
| RC9075        | 90/75x75         | 44        | 44        | 51        | 3         | 88        | 16        | 237       |
| RC11040       | 110/90x40        | 51        | 26        | 61        | 33        | 50        | 16        | 382       |
| RC11050       | 110/90x50        | 51        | 31        | 61        | 28        | 61        | 16        | 371       |
| RC11063       | 110/90x63        | 51        | 38        | 61        | 22        | 75        | 16        | 378       |
| RC11075       | 110/90x75        | 51        | 44        | 61        | 16        | 88        | 16        | 402       |

d1 = mâle à coller d = femelle à coller d2 = femelle à coller

# RÉDUCTION CONIQUE

mâle / femelle à coller x femelle à coller

CONICAL REDUCER | REDUCCIÓN CÓNICA | VERLOOPMOF



**SORO**  
POOL



**SORO**  
BUILD



**SORO**  
HOME



**SORO**  
GROW



| Référence      | d1/dxd2<br>M/FxF  | L         | L1        | L2        | Z         | E1         | PN        | Gr         |
|----------------|-------------------|-----------|-----------|-----------|-----------|------------|-----------|------------|
| RC12550        | 125/110x50        | 61        | 31        | 69        | 34        | 61         | 16        | 386        |
| RC12563        | 125/110x63        | 61        | 38        | 69        | 28        | 75         | 16        | 398        |
| <b>RC12575</b> | <b>125/110x75</b> | <b>61</b> | <b>44</b> | <b>69</b> | <b>23</b> | <b>88</b>  | <b>16</b> | <b>428</b> |
| RC12590        | 125/110x90        | 61        | 51        | 69        | 17        | 106        | 16        | 490        |
| RC125110       | 125/110x110       | 61        | 61        | 69        | 5         | 129        | 16        | 675        |
| RC14075        | 140/125x75        | 76        | 44        | 111       | 35        | 90         | 16        | 583        |
| <b>RC14090</b> | <b>140/125x90</b> | <b>69</b> | <b>51</b> | <b>76</b> | <b>24</b> | <b>106</b> | <b>16</b> | <b>580</b> |
| RC140110       | 140/125x110       | 69        | 61        | 76        | 17        | 129        | 16        | 645        |
| RC140125       | 140/125x125       | 69        | 69        | 76        | 6         | 145        | 16        | 590        |
| RC16090        | 160/140x90        | 76        | 51        | 86        | 24        | 106        | 10        | 812        |
| RC160110       | 160/140x110       | 76        | 61        | 86        | 18        | 129        | 10        | 912        |
| RC160125       | 160/140x125       | 76        | 69        | 86        | 8         | 145        | 10        | 950        |
| RC160140       | 160/140x140       | 76        | 76        | 86        | 8         | 164        | 10        | 1000       |
| RC200110       | 200/180x110       | 106       | 61        | 154       | 48        | 130        | 10        | 1505       |
| RC200125       | 200/180x125       | 106       | 69        | 154       | 48        | 148        | 10        | 1671       |
| RC200140       | 200/180x140       | 106       | 76        | 154       | 48        | 164        | 10        | 2130       |
| RC225125       | 225/200x125       | 119       | 69        | 171       | 52        | 148        | 10        | 2313       |
| RC225140       | 225/200x140       | 119       | 76        | 171       | 52        | 160        | 10        | 2328       |
| RC225160       | 225/200x160       | 119       | 86        | 171       | 52        | 180        | 10        | 2458       |
| RC250140       | 250/225x140       | 131       | 76        | 194       | 63        | 157        | 10        | 2675       |
| RC250160       | 250/225x160       | 131       | 86        | 194       | 63        | 180        | 10        | 2998       |
| RC250200       | 250/225x200       | 131       | 106       | 194       | 63        | 225        | 10        | 3635       |
| RC315160       | 315/280x160       | 164       | 86        | 233       | 69        | 180        | 6         | 5479       |
| RC315200*      | 315/280x200       | 164       | 106       | 233       | 69        | 225        | 6         | 6185       |
| RC315225*      | 315x225           | 102       | 103       | 149       | 47        | 258        | 8         | 5500       |

d1 = mâle à coller d = femelle à coller d2 = femelle à coller

\* femelle x femelle à coller